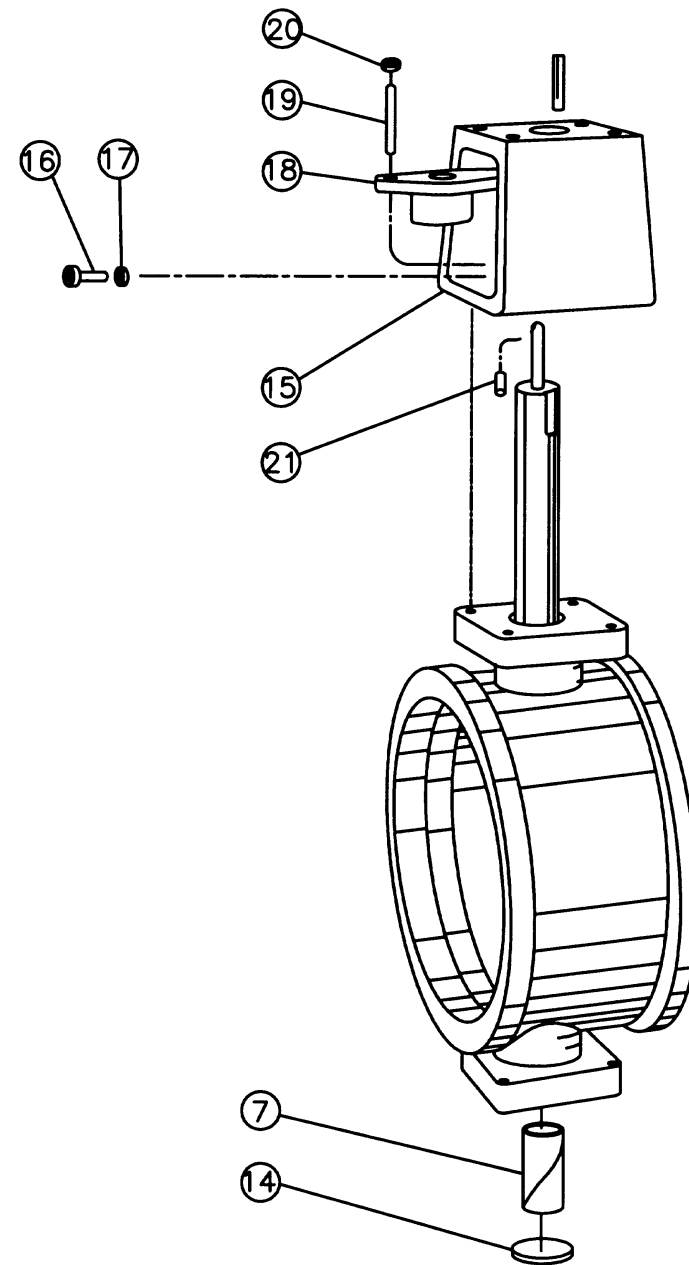


**BASIC VALVE**  
 BOTTOM TRUNNION COMPONENTS  
 AS SHOWN FOR  
 10"-20" VALVE SIZES



WHEN FURNISHED  
 WITH REPLACEABLE  
 PACKING BONNET

REPLACEABLE PACKING BONNET ASSEMBLY	
15	BONNET
16	CAP SCREW
17	LOCK WASHER
18	PACKING RETAINER
19	STUD
20	NUT
21	SPRING PIN

BASIC VALVE	
1	BODY
2	DISC
3	
4	PINS
	1-REQ'D FOR VALVES THROUGH 14"
	2-REQ'D FOR 16" + VALVES
5	SHAFT
6	UPPER BEARING
7	LOWER BEARING
8	PACKING
9	
10	COVER 10"-20"
11	CAP SCREW
12	LOCK WASHER
13	KEY
14	COVER 3"-8"

WHEN ORDERING PARTS, PLEASE SPECIFY  
 1. PRATT SHOP ORDER AND ITEM NUMBER  
 2. VALVE SIZE  
 3. ASSEMBLY DESCRIPTION  
 4. ITEM NUMBER AND DESCRIPTION

Date: 09/1/00  
 Scale: NONE

Parts and Construction Drawing  
**MODEL 2FII - BUTTERFLY VALVE**

Drawing No.  
 13-10-31161-EL

**PRATT**